

DCS Controller

Digital Control Solution



The Digital Control Solution room controller integrates load control with occupancy sensors, photo sensors, switches and other devices to provide simple code-compliant solutions for lighting, plug load and HVAC integration. It is a powerful, flexible, scalable, easy to install Digital Control Solution designed to provide maximum energy savings. It uses a two wire data line and Bluetooth Mesh to create a local network and make the system expandable.

The Digital Control Solution (DCS) group of sensors are available in multiple technologies for the control of heating, ventilation and air conditioning as well as lighting. Time saving wireless commissioning is accomplished via Bluetooth connection from a Smart Phone or Tablet to a DCS Controller, which communicates to the sensory by the 2 wire bus.

Applications

The typical application is for offices, conference rooms, classrooms and other indoor public building spaces.

Key Features:

- Digital bus for sensors, switches, photo cells
- Out-of-the-box functionality
- Wireless programming
- Predefined and custom use case generation
- Preset or custom scenes
- 3 independent 0-10V dimming zones
- Receptacle control
- Multi-zone daylighting
- Minimum and maximum dimming levels
- Hold off / force off
- Demand response

Project Name:
Location:

69196



DCS Controller Specifications

Item No.	69196 DCS Controller
Supply Voltage	120 / 277 VAC, 60 Hz
DCS Dimensions	6.69 x 4.94 x 2.16 in 170 x 120 x 54.8 mm
Threaded Nipple Dimensions	1.07 x .83 in 27.2 x 21 mm
Max Device on Bus	100
Data Line Output	22.5 VAC / 250 mA (class 2)
Relay Power Input	Single Phase 120 / 277 VAC, 60 Hz (per relay)
Relay Load Rating	3 x 20A Ballast / ELV / MLV / Tungsten / LED 3 x 16A E-Ballast / CFL 3 x 1hp @ 120VAC, 60Hz 3 x 20A, 120VAC Plug Load - Receptacle
Dimming Output	3 x 0-10 V, 100 mA, max. 50 compatible drivers
Demand Response Input	1 x 12-22.5V, 1mA
Time Clock Input	1 x 12-22.5V, 1mA
RTC Battery Lifetime	10 years
Security	AES 128 (Advanced Encryption Standard)
IP Classification	IP20
Temperature Rating	Rated for Indoor Use Only, -10 - 50° C / 14 - 122° F
Country of Origin	Made in Romania
Warranty	5 years
Certifications	C-UL-US Listed, RoHS compliant, FCC/IC, UL 2043 Plenum Rated, CA Energy Code compliant

Key Features:

- 3 x 20A Relays (expandable)
- Current monitoring per relay
- Daylight harvesting
- Partial on & off
- External time clock input
- Internal time clock
- Astronomic time functions
- Light Scenes
- BLE
- Wireless BLE mesh interconnectivity



BLE Wireless Mesh

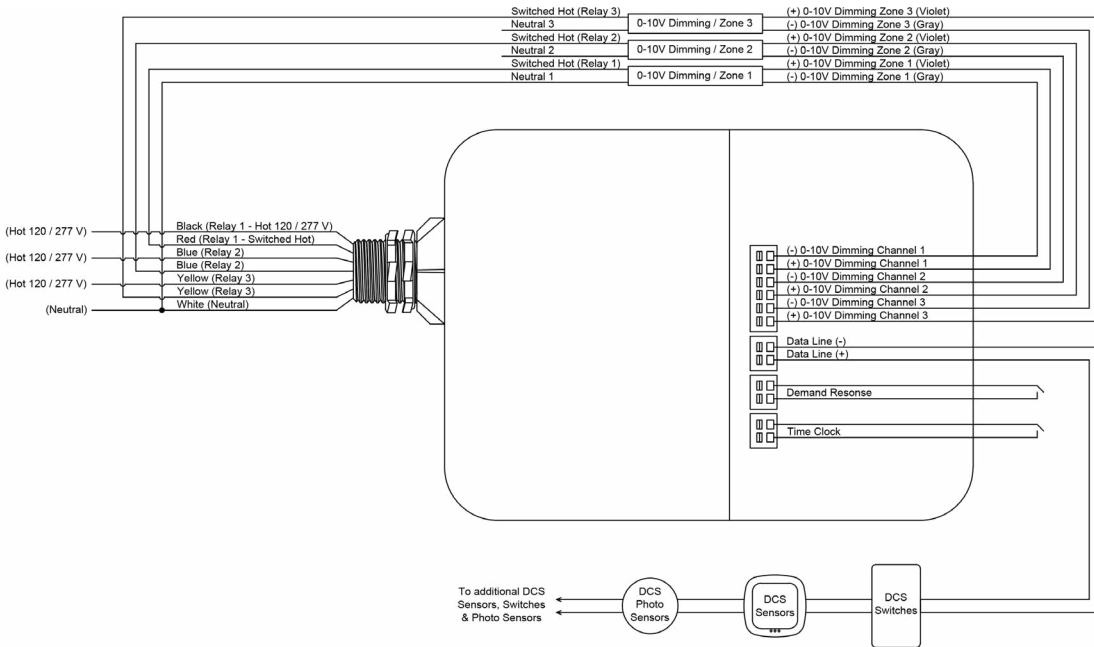


Astronomic
Dust to Dawn



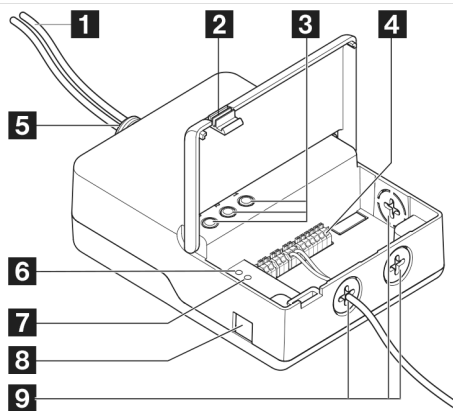
Integrated Time Clock

Wiring



- Before installation, make sure that power has been switched off at the breaker and check that the circuit is dead with a voltage meter.
- After installation, verify wiring is correct to avoid damage to the controller, lighting, and control devices.

Overview



- 1 Line voltage wires
- 2 Cover release button
- 3 Test buttons
- 4 Low voltage terminals. Press and hold for connection and disconnect
- 5 1/2 inch threaded chase nipple with two lock nuts
- 6 LED status indicator
- 7 RESET Button

Mounting

Method of mounting CONTROL

- The DCS Digital Control Solution mount to a junction box with 1/2 inch knockout.

Mounting instructions

- Remove the top lock nut from the 1/2" chase nipple.
- Place line voltage wires and 1/2" chase nipple through 1/2" knockout.
- Reinstall the lock nut and tighten.

