

HBS 300-WL

IP65 Wet Location 360° Occupancy Sensor

STEINEL[®]
PROFESSIONAL



Project Name:
Location:



HBS 300-WL Specifications

Item No.	64134
Accessories	64307 EM1 extender module
Voltage	120/230/277 VAC, 50/60 Hz
Load Rating	120 VAC: 0-800 watt ballast, tungsten, 1/4 hp 230/277 VAC: 0-1200 watt ballast
Sensing Technology	passive infrared (PIR)
Time Delay Setting	15 seconds to 30 minutes
Light Level Setting	.2-200 footcandles 2-2000 lux
Environment	IP65 rated, -4°F to +104°F, -20°C to +40°C
Coverage	360° up to 22 ft (6.7 m) radial reach, up to 60 ft (18.2 m) tangential reach
Sensors	3 dual element infrared pyroelectric detectors
Lens Design	1416 switching zones
Dimensions (LxWxD)	5.54 x 5.54 x 2.86 in, 115.3 x 115.3 x 72.7 mm, nipple length .58 in (14.7 mm)
Warranty	5 years
Certifications	C-UL-US Listed, RoHS Compliant, CA Compliant

The HBS 300-WL sensor provides effective lighting control in areas requiring a 360 degree occupancy detection pattern. Best practice for high/low bay open areas requiring IP65 wet location rating. Ideal for warehouses and general damp or wet unconditioned storage areas.

The sensor performs at a wide range of mounting heights, up to 45 ft. The EM1 Extendor Module mounts directly to a lighting fixture or junction box. With three highly sensitive pyroelectric detectors and a multi-segmented lens, the HBS 300-WL is able to achieve 1416 switching zones with best in class radial and tangential detection.

Applications

Open area wet location where 360 coverage is needed, such as unconditioned storage warehouses.

Key Features:

- 360° coverage with up to 60 ft reach
- IP65 Wet location rated
- 3 pyroelectric detectors with 1416 switching zones provides better detection for high bay applications
- Precision molded lens
- Automatically adjusts to temperature changes keeping sensitivity and coverage consistent
- Light level feature allows lighting to remain off during daylight regardless of occupancy
- Built-in surge protection with auto-reset

120/230/
277V

Voltage

IP65
PIR

Wet Location Rated
Passive Infrared Technology



360° Coverage Max 60 Ft

Fixture
or J Box
Mount

Fixture or Junction Box
Mounting

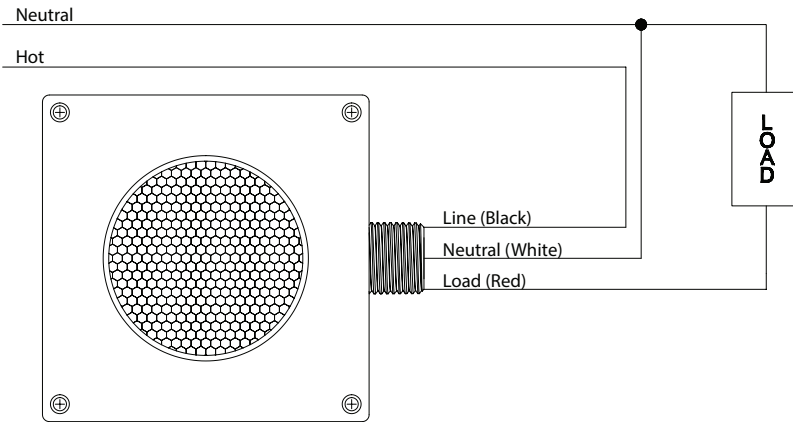


www.steinel.net

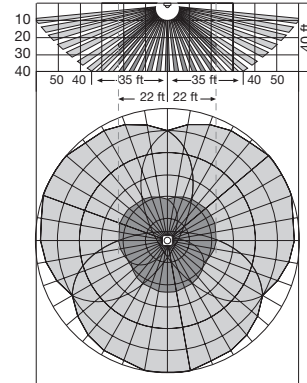
HBS 300-WL

IP65 Wet Location 360° Occupancy Sensor

Wiring

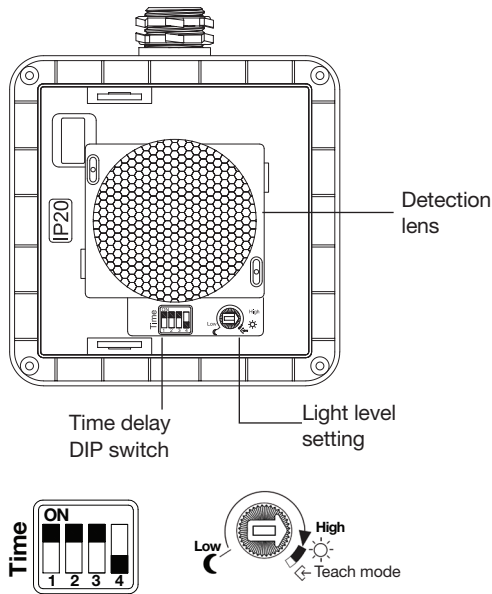


Coverage



Typical mounting height is 8 to 45 ft. Maximum reach is 22 ft radial and 60 ft tangential. Coverage may vary depending on mounting height and environmental conditions.

Setting



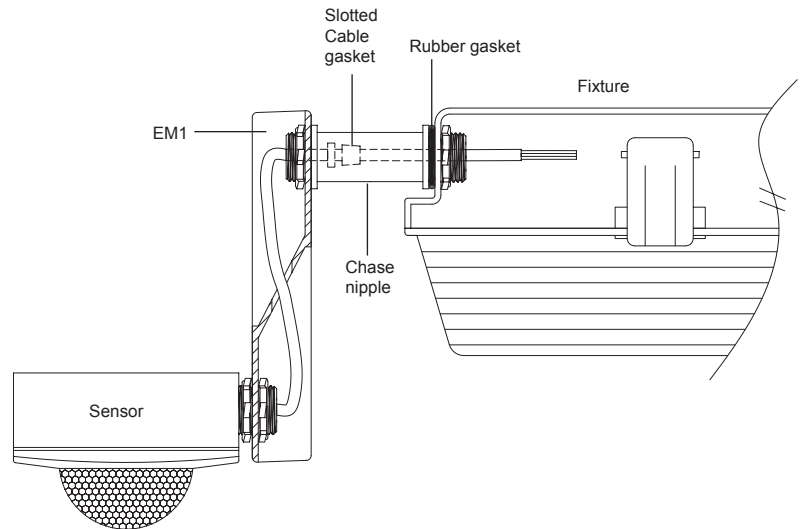
Time Delay DIP Switch

1	2	3	4	Time
ON	ON	ON	OFF	15 sec
ON	OFF	OFF	OFF	1 min
OFF	ON	ON	OFF	5 min
ON	OFF	ON	OFF	10 min
ON	ON	OFF	OFF	15 min
OFF	ON	OFF	OFF	20 min
OFF	OFF	ON	OFF	25 min
OFF	OFF	OFF	OFF	30 min
N/A	N/A	N/A	ON	override

Factory setting is 15 minutes.

Mounting

The HBS 300-WL or HBS 200-WL typically mount to a 1/2" knockout at the end of a high/low bay water tight fixture using an EM1 extender module. The sensor's lens should be mounted below the bottom edge of the fixture.



The EM1 Extender Module is recommended for use with the HBS 300-WL and HBS 200-WL if the knockout at the end of the fixture is located greater than 1/2" from the bottom edge of the fixture. Pull the slotted cable gasket through the provided chase nipple until it snaps in to place creating a water tight seal.