

IS 345 DCS

Digital Control Solution - Occupancy Detector



With a unique, specially designed detection lens, the IS 345 DCS occupancy detection sensor is ideal for controlling lights in long corridors or aiseways. The sensor is part of the STEINEL family of high performance commercial occupancy sensors. IS 345 DCS sensors are passive infrared and respond to heat radiated from human body motion.

The Digital Control Solution (DCS) group of sensors are available in multiple technologies for the control of heating, ventilation and air conditioning as well as lighting. Time saving wireless commissioning is accomplished via Bluetooth connection from a Smart Phone or Tablet to a DCS Controller, which communicates to the sensor by the 2 wire bus.

Applications

Useful for aisles, storage facilities, data centers, large spaces where huge reach is needed, such as corridors and ceiling mount applications.

Project Name:
Location:

| | | | |
|-------|-------|-------|--|
| 72500 | 65330 | 69196 | |
| | | | |
| 80208 | 72660 | | |
| | | | |

IS 345 DCS Specifications

| | |
|-----------------------------------|---|
| Item No. | 72500 IS 345 DCS |
| Accessories | 65330 WGC wire guard cage 69196 DCS CONNECT 80208 DCS Controller 72660 IS FMA DCS |
| Voltage | 12 - 22.5 VDC (6 mA) |
| Device Equivalent | 3 |
| Mounting | Ceiling |
| Sensing Technology | 2 infrared pyroelectric detectors (PIR) |
| Time Setting | Selectable over the DCS App. Up to 30 mins. |
| Light Level Setting | .2 - 2,000 lux / 0.2 - 200 fc |
| Environment | IP54 rated, -40°F to +158°F, -40°C to +70°C |
| Coverage at 8 ft. Mounting Height | 180° horizontal detection angle, 45° vertical detection radial: 30 x 12 ft. (9 x 4 m.) tangential: 84 x 18 ft. (5 x 5 m.) |
| Installation Height | 8-13 ft. (2.5-4 m.) |
| Lens Design | 280 switching zones. 5 detection levels |
| Dimensions (LxWxD) | 3.74 x 3.74 x 3.11 in 97 x 95 x 79 mm |
| Warranty | 5 years |
| Certifications | C-UL-US Listed, RoHS Compliant, UL 2043 Plenum Rated, CA Energy Code Compliant |

Key Features:

- Low voltage (12 - 23 VDC) digital sensor for use with a DCS Controller
- Polarity insensitive 2 wire bus
- 2 pyroelectric detectors with 280 switching zones provides sensitive motion detection for corridors
- Automatically adjusts to temperature changes keeping sensitivity and coverage consistent

PIR

Passive Infrared Technology



Corridor Coverage

IP54

IP54

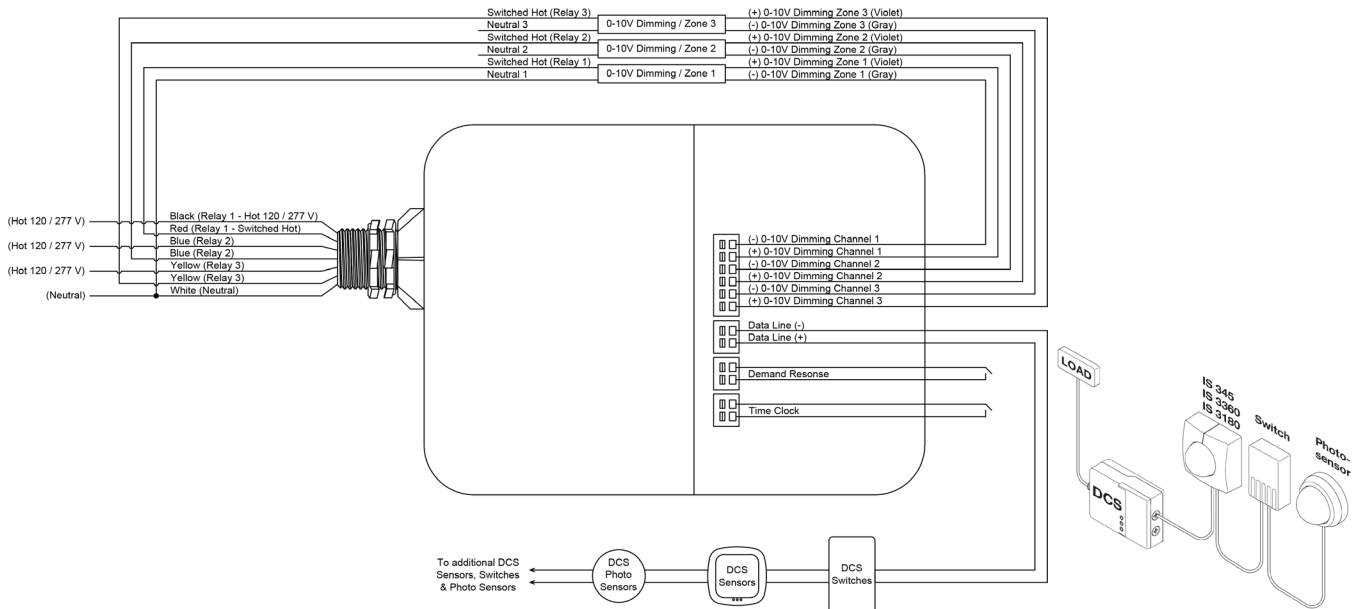
Ceiling
or
Fixture

Mounting

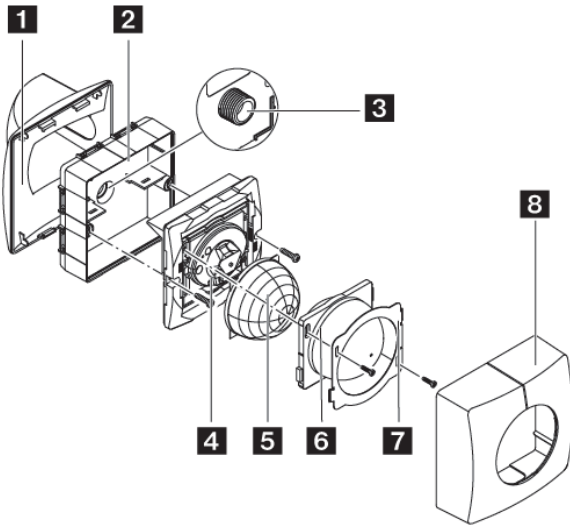
IS 345 DCS

Digital Control Solution - Occupancy Detector

Wiring

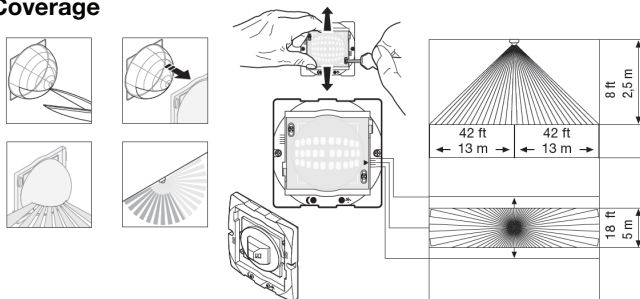


Product Overview



- 1 Fixture Mount Adapter (accessories) not included
- 2 Back housing
- 3 1/2" (trade size) threaded nipple
- 4 Front housing
- 5 Shroud
- 6 Lens
- 7 Press plate
- 8 Design cover

Coverage



Mounting

