

HBS 300 (347-480V)

360° High Bay Occupancy Sensor

STEINEL[®]
PROFESSIONAL



Project Name:
Location:



HBS 300 (347-480V) Specifications

Item No.	64133 (indv. packaged) 64132 (bulk)
Accessories	64304 LC4, Reduced Range Lens Cover 64305 LC5, 180° Half Moon Lens Cover 64307 EM1, Extender Module
Voltage	347/480 VAC, 60 Hz
Load Rating	5A electronic ballast load
Sensing Technology	passive infrared (PIR)
Time Delay Setting	15 seconds to 30 minutes
Light Level Setting	.2-200 footcandles 2-2000 lux
Environment	IP20 rated, -4°F to +122°F, -20°C to +50°C
Coverage	360°, up to 22 foot (6.7 m) radial reach, up to 60 ft (18.2 m) tangential reach
Sensors	3 dual element infrared pyroelectric detectors
Dimensions (LxWxD)	3.9 x 3.9 x 2.6 in, 99 x 99 x 66 mm, nipple length .62 in (15.75 mm)
Warranty	5 years
Certifications	C-UL-US Listed, RoHS Compliant, CA Compliant

The HBS 300 (347-480V) High Bay Occupancy Sensor provides 360 degrees of occupancy based lighting control in 347/480 VAC, 60Hz high bay open area applications.

The sensor performs at a wide range of mounting heights, up to 45 feet. It mounts directly to a high/low bay lighting fixture or junction box. The EM1 Extender Module is recommended if the knockout at the end of the fixture is located greater than 1/2" from the bottom edge of the fixture. With three highly sensitive pyroelectric detectors and a multi-segmented lens, the HBS 300 (347-480V) is able to achieve 1416 switching zones.

Applications

High bay open areas where 360 degree coverage is desired, such as in warehouses, distribution centers, gymnasiums, and loading docks.

Key Features:

- 360° coverage with up to 60 ft tangential reach
- Coverage area may be adjusted with plastic lens covers that snap to the front of the sensor
- 3 pyroelectric detectors with 1416 switching zones provides better detection for high bay applications
- Automatically adjusts to temperature changes keeping sensitivity and coverage consistent
- Light level feature allows lighting to remain off during daylight regardless of occupancy
- User-friendly "teach mode" automatically sets the daylight level, saving time with commissioning.
- Built-in surge protection with auto-reset

**347/
480V**

Voltage

PIR

Passive Infrared Technology



360° Coverage Max 60 Ft

**Fixture
or J Box
Mount**

Fixture or Junction Box
Mounting



0.2 - 200 fc



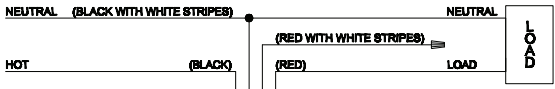
www.steinell.net

HBS 300 (347-480V)

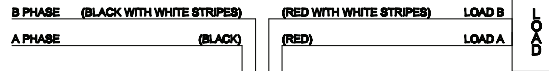
360° High Bay Occupancy Sensor

Wiring

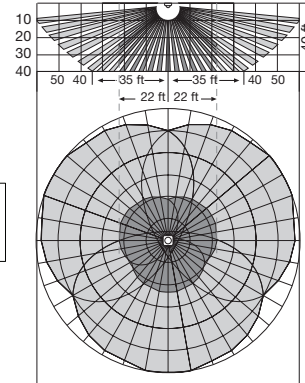
347 VAC, 60 Hz Wiring



480 VAC, 60 Hz Wiring

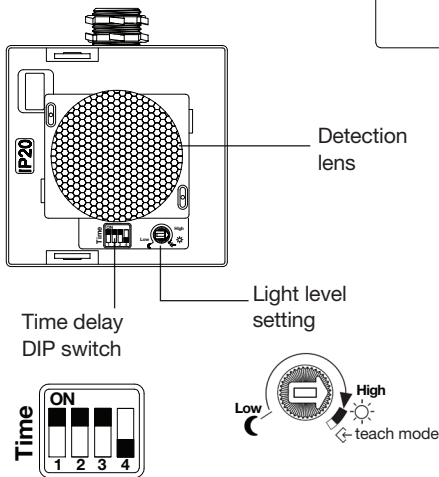


Coverage



Typical mounting height is 8 to 45 ft. Maximum reach is 22 feet radial and 60 feet tangential. Coverage may vary depending on mounting height and environmental conditions.

Setting

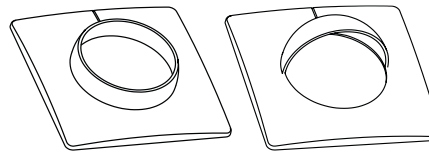


Time Delay DIP Switch

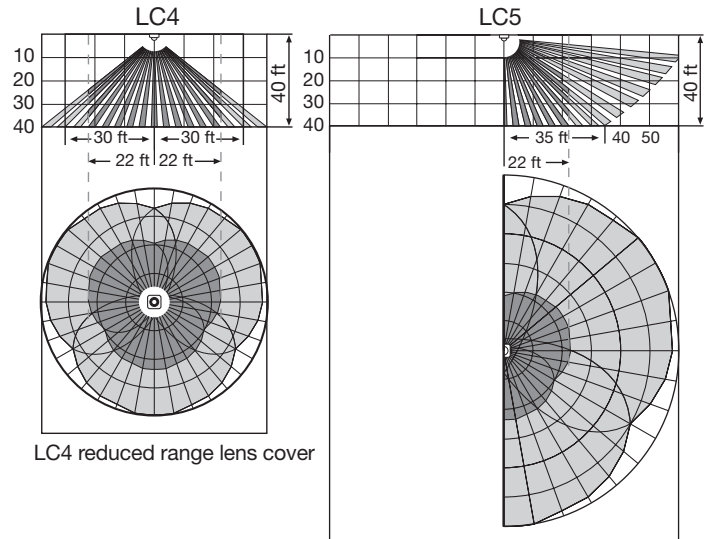
1	2	3	4	Time
ON	ON	ON	OFF	15 sec
ON	OFF	OFF	OFF	1 min
OFF	ON	ON	OFF	5 min
ON	OFF	ON	OFF	10 min
ON	ON	OFF	OFF	15 min
OFF	ON	OFF	OFF	20 min
OFF	OFF	ON	OFF	25 min
OFF	OFF	OFF	OFF	30 min
N/A	N/A	N/A	ON	override

Factory setting is 15 minutes.

Coverage Adjustment



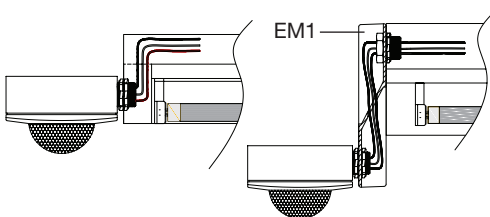
Lens covers can be used to adjust the HBS 300 (347-480V) coverage as needed. The covers are plastic and snap to the front of a sensor.



LC4 reduced range lens cover

LC5 180° half moon lens cover

Mounting



The HBS 300 (347-480V) is mounted directly to a lighting fixture. The EM1 Extender Module is recommended if the knockout at the end of the fixture is located greater than 1/2" from the bottom edge of the fixture.