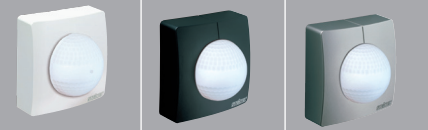


IS 345-24

Corridor Occupancy Sensor



Project Name:
Location:



IS 345-24 Specifications

Item No.	61134 white 61141 black decorative cover 61142 inox decorative cover
Voltage	24 VDC, 12 mA
Mounting	ceiling
Sensing Technology	passive infrared (PIR)
Time Delay Setting	5 seconds to 15 minutes
Light Level Setting	.2-200 footcandles 2-2000 lux
Environment	IP20 rated, -4°F to +122°F, -20°C to +50°C
Coverage	180° horizontal, 45° vertical, up to 40 x 13 ft radial reach, up to 65 x 13 ft tangential reach
Sensors	2 dual element infrared pyroelectric detectors
Lens Design	280 switching zones, 5 detection levels
Dimensions (LxWxD)	3.74 x 3.74 x 2.56 in 95 x 95 x 65 mm
Warranty	5 years
Certifications	C-UL-US Listed, RoHS Compliant, CA Compliant

With a unique, specially designed detection lens, the IS 345-24 occupancy sensor is ideal for controlling lights in long corridors or aiseways. The sensor is part of the STEINEL family of high performance commercial occupancy sensors.

IS 345-24 sensors are passive infrared and respond to heat radiated from human body motion. They mount on a ceiling and turn lighting ON either automatically with occupancy or manually using a low voltage wall switch and the manual on mode of a STEINEL power pack. After a period of time where no occupancy has been detected, the sensor switches lighting OFF.

Applications

Corridors and ceiling mount applications where hallway coverage is needed.

Key Features:

- Coverage up to 40 ft radial reach and 65 ft tangential reach
- Shrouds allow users to easily customize the coverage area; the moving lens (mechanical adjustment) fine tunes coverage even further
- 2 pyroelectric detectors with 280 switching zones provides sensitive motion detection for corridors
- Automatically adjusts to temperature changes keeping sensitivity and coverage consistent
- The hold off light level feature allows lighting to remain off during daylight regardless of occupancy. User-friendly "teach mode" automatically sets the daylight level, saving time with commissioning.



Voltage



Passive Infrared Technology



Corridor Coverage



IP20



Mounting

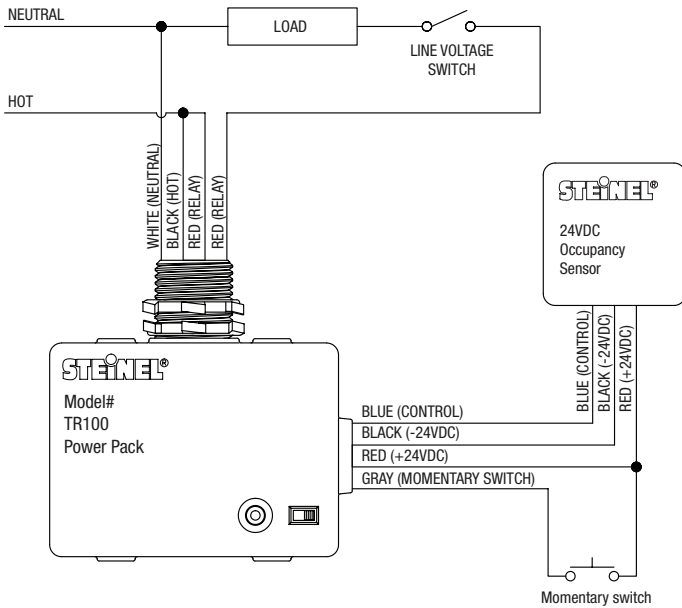


www.steinell.net

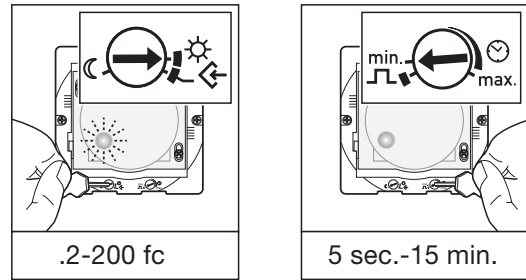
IS 345-24

Corridor Occupancy Sensor

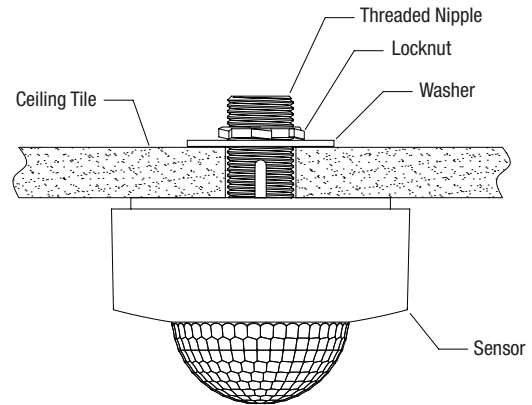
Wiring



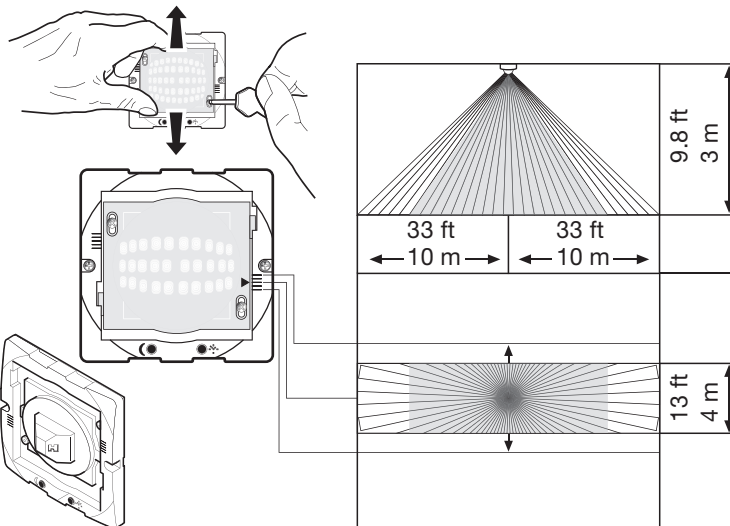
Settings



Mounting



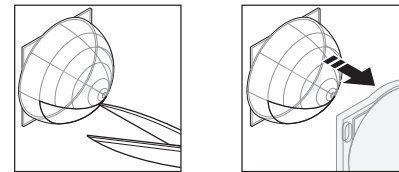
Coverage



The shaded area on the coverage pattern represents radial coverage.

Slight coverage adjustment to the left or right of the aisle is possible by sliding the lens in the direction that additional coverage is desired.

Coverage Adjustment



Shrouds supplied with each unit allow users to adjust coverage as needed.